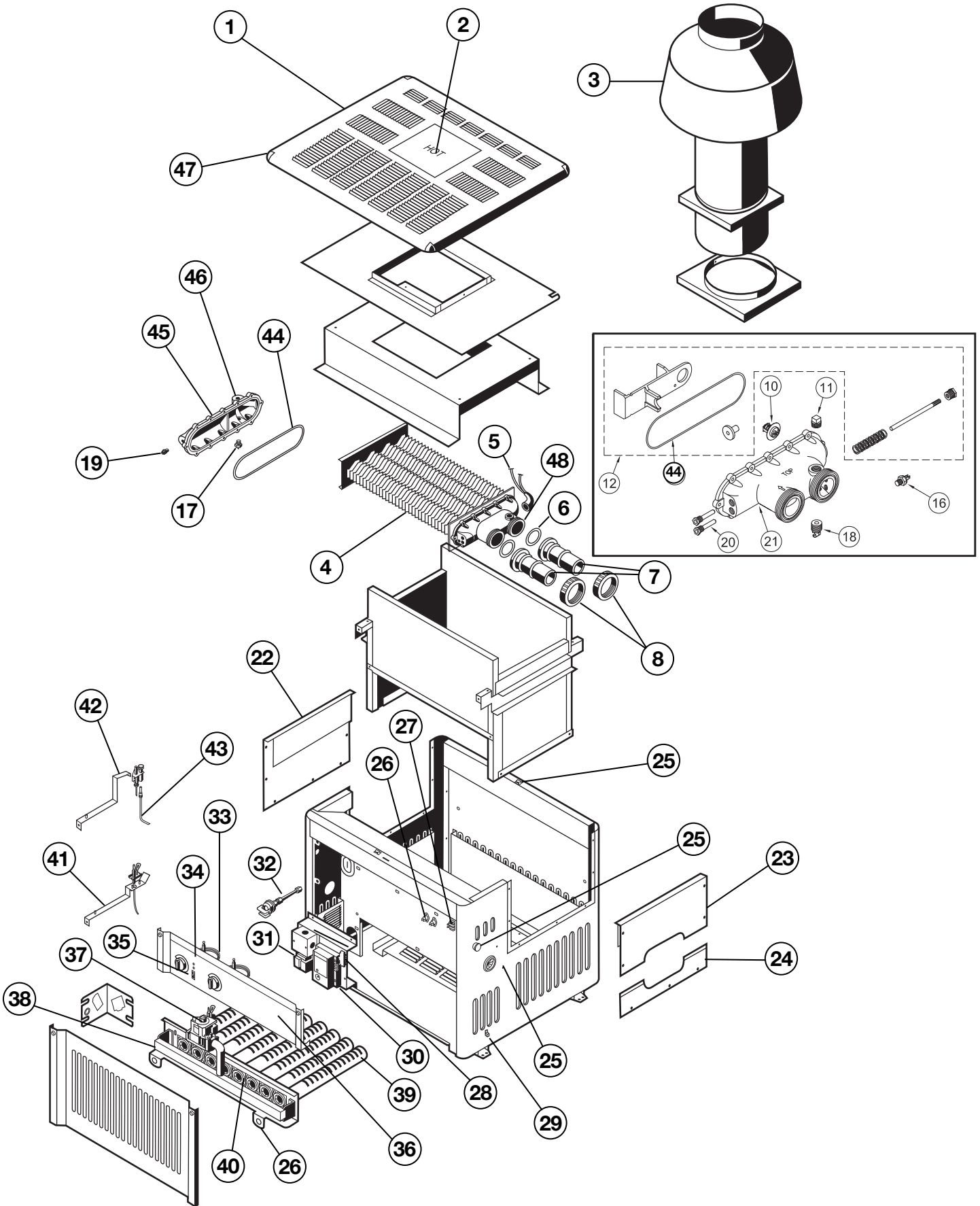




H-Series – Millivolt/Electronic (ED1 Style)

HEATER REPLACEMENT PARTS

Parts Diagram



H-Series – Millivolt/Electronic (ED1 Style)

HEATER REPLACEMENT PARTS



Parts Listing

| Ref. Part No. | Part Number | Description | Ref. Part No. | Part Number | Description | Ref. Part No. | Part Number | Description |
|---------------|---------------|-------------------------------|---------------|---------------|---------------------------------|---------------|---------------|---|
| 1 | HAXJKT1150 | Jacket Top Assembly – 150 | 10 | HAXFCT1930 | Flow Control Thermostat | 36 | HAXCPA2351▲ | Control Panel Assembly – 350 DS |
| 1 | HAXJKT1200 | Jacket Top Assembly – 200 | 11 | CHXPLG1930 | 3/4" NPT Brass Plug | 36 | HAXCPA2401▲ | Control Panel Assembly – 400 DS |
| 1 | HAXJKT1250 | Jacket Top Assembly – 250 | 12 | HAXBPK1931††† | By-Pass Valve Kit | 37 | HAXGSV0001 | Gas Valve, MV Natural Gas |
| 1 | HAXJKT1300 | Jacket Top Assembly – 300 | | HAXBPK1932†† | By-Pass Valve Kit | 37 | HAXGSV0003 | Gas Valve, MV Propane |
| 1 | HAXJKT1350 | Jacket Top Assembly – 350 | 16 | HAXHLI1930 | Hi-Limit 135° F | 37 | HAXGSV0004 | Gas Valve, DS Propane |
| 1 | HAXJKT1400 | Jacket Top Assembly – 400 | 17 | HMXHLI2932 | Hi-Limit 160° F | 37 | HAXGSV0005 | Gas Valve, DS Natural Gas |
| 1 | HAXJKT1251* | Jacket Top Assembly – 250 | 18 | HAXDRV1930 | Drain Valve Assembly | 38 | HAXMAN1150 | Gas Manifold – 150 |
| 1 | HAXJKT1301** | Jacket Top Assembly – 300 | 19 | CHXPSA1930 | Pressure Switch Adapter | 38 | HAXMAN1200 | Gas Manifold – 200 |
| 1 | HAXJKT1351*** | Jacket Top Assembly – 350 | 20 | CHXTBW1930 | Bulb Well | 38 | HAXMAN1250 | Gas Manifold – 250 |
| 1 | HAXJKT1401† | Jacket Top Assembly – 400 | | HAXTBW1930▲▲ | Bulb Well, Cotherm | 38 | HAXMAN1300 | Gas Manifold – 300 |
| 2 | HAXDHO1930 | DHO Insert | 21 | HAXFHD1930 | Front Header Only | 38 | HAXMAN1400 | Gas Manifold – 400 |
| 3 | DHI150 | Indoor Drafthood – 150 | | HAXFHD1931†† | Front Header Only | 39 | HAXBRN1930 | Burner Tube |
| 3 | DHI200 | Indoor Drafthood – 200 | 22 | HAXLAC1930 | Left Access Cover | 40 | HAXBON1930 | Burner Orifice, Natural Gas |
| 3 | DHI250 | Indoor Drafthood – 250 | 23 | HAXJURA1930 | Upper Right Access Cover | 40 | HAXBON1931 | Burner Orifice, Natural Gas HA |
| 3 | DHI300 | Indoor Drafthood – 300 | 24 | HAXLRA1931 | Lower Right Access Cover | 40 | HAXBON210 | Burner Orifice, Natural, H210 Only |
| 3 | DHI350 | Indoor Drafthood – 350 | 25 | HAXPHK1930 | Plastic Hardware Kit | 40 | HAXBOP1930 | Burner Orifice, Propane |
| 3 | DHI400 | Indoor Drafthood – 400 | 26 | HAXTLK1930 | Temperature Limiters Kit | 40 | HAXBOP1931 | Burner Orifice, Propane HA |
| 3 | HWS150 | High Wind Stack – 150 | 27 | HAXTBK1931 | 2-Pole Terminal Block | 40 | HAXBOP210 | Burner Orifice, Propane, H210 Only |
| 3 | HWS200 | High Wind Stack – 200 | 28 | HAXTBK1933 | 4-Pole Terminal Block | 41 | HAXIGN1931 | Ignitor Assembly |
| 3 | HWS250 | High Wind Stack – 250 | 29 | CHXGRL1930 | TA-2 Ground Lug | 42 | HAXPLT1931 | Pilot – Natural Gas |
| 3 | HWS300 | High Wind Stack – 300 | 30 | HAXMOD1930 | Control Module | 42 | HAXPLT1932 | Pilot – Propane |
| 3 | HWS350 | High Wind Stack – 350 | 31 | CHXTRF1930 | Transformer | 43 | HAXTRK1930 | Pilot Tube Replacement Kit |
| 3 | HWS400 | High Wind Stack – 400 | 32 | HAXPSA1930 | Pressure Switch Assembly | 44 | HAXHOR1930 | Header O-Ring |
| 4 | HAXHXA1153 | Heat Exchanger Assembly – 150 | 33 | HAXTST1930 | Thermostat | 45 | HAXRHD1930††† | Rear Header Only |
| 4 | HAXHXA1203 | Heat Exchanger Assembly – 200 | 34 | HAXLDK1930 | LED Kit | 46 | HAXPLG1930 | 1/4" NPT Brass Plug |
| 4 | HAXHXA1210 | Heat Exchanger Assembly – 210 | 35 | CHXTSW1930 | System Switch Single | 47 | HAXCIA1930 | Corner Piece Kit (4) |
| 4 | HAXHXA1253 | Heat Exchanger Assembly – 250 | 35 | CHXTSW1931 | System Switch Dual | 48 | HAXFHA1930††† | Front Header Assembly |
| 4 | HAXHXA1303 | Heat Exchanger Assembly – 300 | 36 | HAXCPA2150▲ | Control Panel Assembly – 150 MV | | HAXFHA1931 | Front Header Assembly |
| 4 | HAXHXA1353 | Heat Exchanger Assembly – 350 | 36 | HAXCPA2200▲ | Control Panel Assembly – 200 MV | — | HAXWHA0005 | Wire Harness, Main DS (not shown) |
| 4 | HAXHXA1403 | Heat Exchanger Assembly – 400 | 36 | HAXCPA2250▲ | Control Panel Assembly – 250 MV | — | HAXWHA0004 | Wire Harness, Control Panel (not shown) |
| 5 | HAXWHA0002 | Rear Wire Harness, MV | 36 | HAXCPA2300▲ | Control Panel Assembly – 300 MV | | | |
| | HAXWHA0006†† | Rear Wire Harness, MV | 36 | HAXCPA2350▲ | Control Panel Assembly – 350 MV | — | FDXLGND1930 | Heat Exchanger Bonding Kit |
| 5 | HAXWHA0003 | Rear Wire Harness, DS | 36 | HAXCPA2400▲ | Control Panel Assembly – 400 MV | — | HAXWHA0001 | Wire Harness, Main MV (not shown) |
| | HAXWHA0007†† | Rear Wire Harness, DS | 36 | HAXCPA2151▲ | Control Panel Assembly – 150 DS | — | HAXRFK1930 | Retro Fit Kit (not shown) |
| 6 | HAXFOR1930 | O-Rings | 36 | HAXCPA2201▲ | Control Panel Assembly – 200 DS | — | HAXWFN1930 | Header Mounting Nut Kit (Pack of 12) |
| 7 | HAXNIP1930 | Flange Pipe Nipples | 36 | HAXCPA2251▲ | Control Panel Assembly – 250 DS | — | CHXMSI1930 | Manual Piezo Spark Igniter |
| 8 | HAXNUT1930 | Union Nuts | 36 | HAXCPA2301▲ | Control Panel Assembly – 300 DS | — | CHXGEN1930 | Millivolt Pilot Generator |

NOTES: *Used, Started at Serial No. 00421078

**Used, Started at Serial No. 0032018

***Used, Started at Serial No. 00424651

†Used, Started at Serial No. 00424851

††Used on heaters made after 10/28/00

†††Used on heaters made before 10/28/00

▲Used on heaters made after 5/8/98

▲▲Used on heaters made after 6/1/01